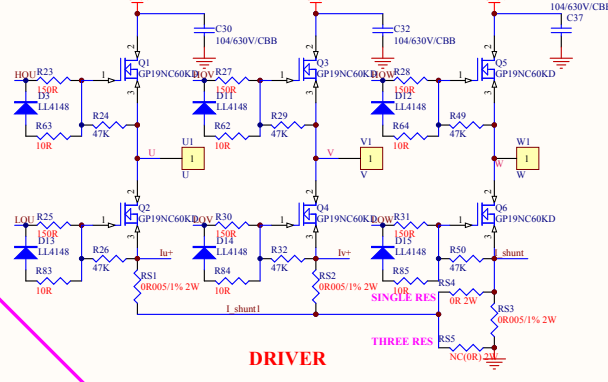
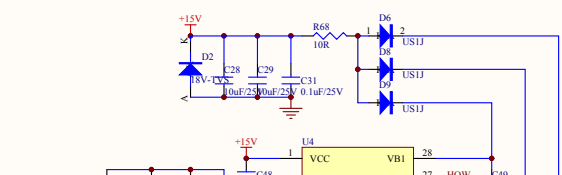
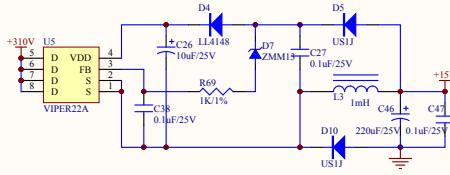
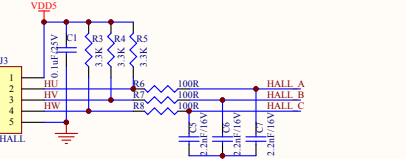


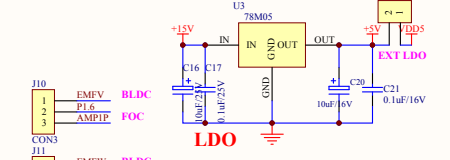
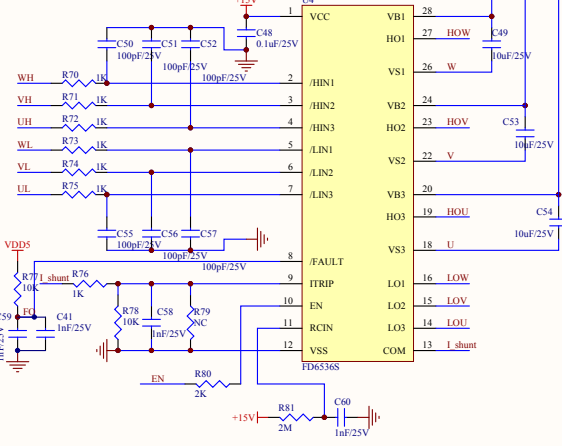
Voltage detection



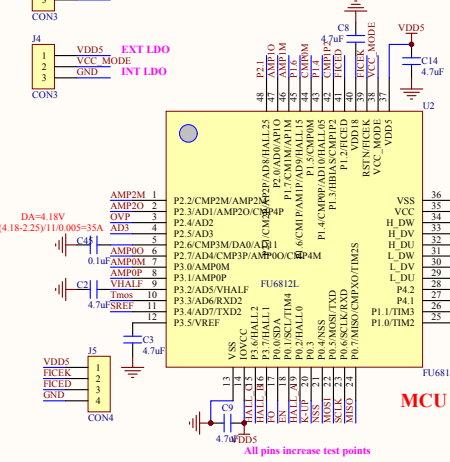
DRIVER



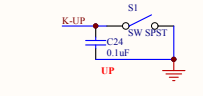
HALL



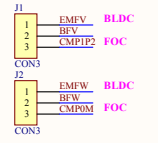
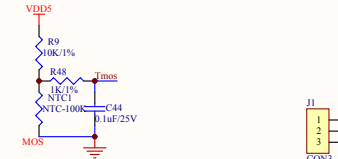
LDO



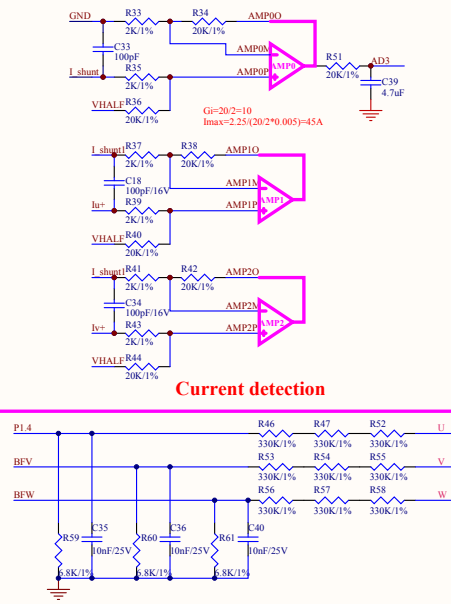
MCU



SPEED IN



Current detection



Back EMF detection

|              |         |
|--------------|---------|
| FU6812L-0EMO | AC 220V |
| Frank.Wang   | 1000W   |
| 2018-09-06   |         |
| V2.0         |         |